

# Waterproof Industrial PoE Extender

WI-POE21E-O | WI-POE22E-O



## Overview

Wi-Tek Waterproof Industrial PoE Extender complies with IEEE 802.3bt or IEEE 802.3af/at standards, which is an industrial IP68-rated 1-port 802.3bt to 2-port 802.3af/at PoE Extender designed for point-to-multipoint PoE scenarios.

## Features

### IP68 Waterproof Enclosure

Sturdy one-piece housing design, extraordinary tough, waterproof metal housing design ensures the Extender can be used in bad weather.

### Aluminum Case Design

With industrial-level aluminum case, provides a high level of immunity against electromagnetic interference, and is able to protect itself from dust and water ingress and to operate under the temperature range from -40 to 75 degrees.

### Plug and Play, Zero Configuration

No any complex installation, no any IT requirement, simply plug and play.

### Expand your Network in Outdoor Scenarios

Wi-Tek Waterproof Industrial PoE Extender can power up 2 IEEE 802.3af/at/bt PoE standard compliant, meaning any additional power adapter for IP cameras and wireless access points is unnecessary.



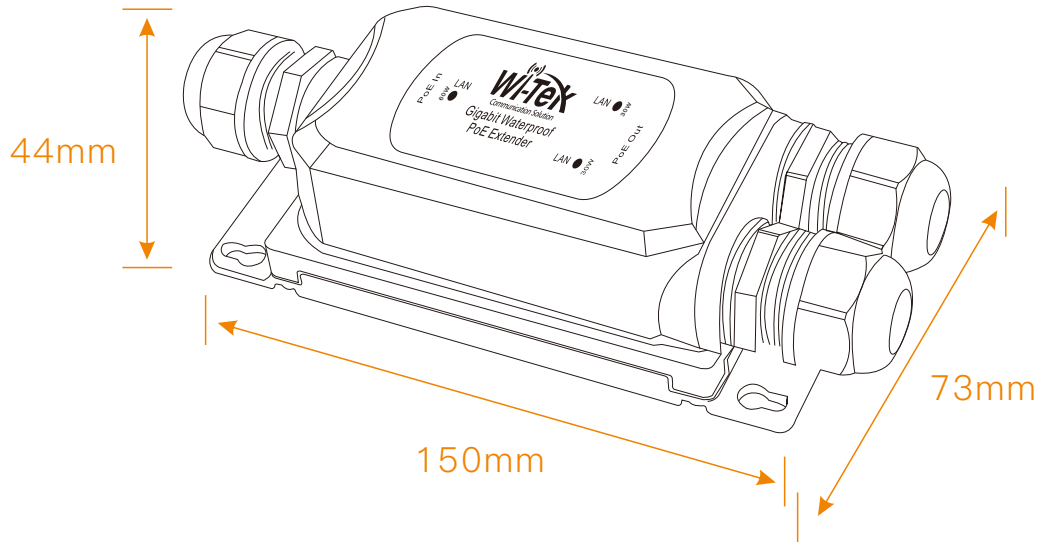
## Specifications

Model		WI-POE21E-O	WI-POE22E-O
Hardware Specifications			
Hardware Version		V1	V1
Interfaces			
Interfaces		PoE in port: 1 x 1000Mbps PoE port with 802.3bt 60W PoE out port: 2 x 1000Mbps PoE port with 802.3af/at 30W support auto MDI/MDI-X, auto-negotiation RJ-45Connector	PoE in port: 1 x 1000Mbps PoE port with 802.3bt 90W PoE out port: 1 x 1000Mbps PoE port with 802.3af/at 30W 1 x 1000Mbps PoE port with 802.3af/at 30W support auto MDI/MDI-X, auto-negotiation RJ-45Connector
Physical Characteristics			
LED Indicators		LAN(Green) Blinking: data and power are transmitting On: link established Off: no device connection	
Fan Quantity		Fanless	
Extender Dimension		150.5*72.93*43.8 mm	
Package Dimension		245*187*88 mm	
Weight		Net Weight: 0.34 kg Package Weight: 0.70 kg	
Installation		Wall-Mounted, Desktop	
Environmental			
Reliability	Surge Immunity	IEC 61000-4-5 Common mode 4kV Differential mode 2kV	
	ESD Protection	IEC 61000-4-2 Contact discharge 6kV Air discharge 8kV	

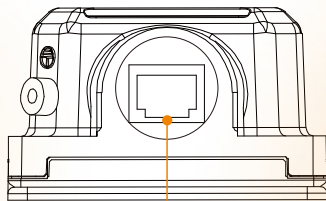
Operating Temperature	-40°C to 75°C(-40°F to 167°F)
Operating Humidity	10%~90% RH no condensation
Storage Temperature	-40°C to 80°C(-40°F to 176°F)
Storage Humidity	5%~90% RH no condensation
Others	
Certification	CE, FCC, RoHS, UKCA, RCM

WI-POE21E-O

Dimensions (mm)

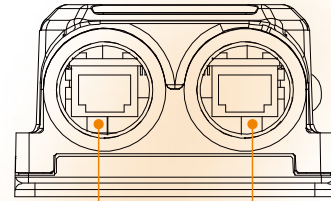


Front Panel



1 x 1000Mbps PoE port with 802.3bt 60W

Side Panel

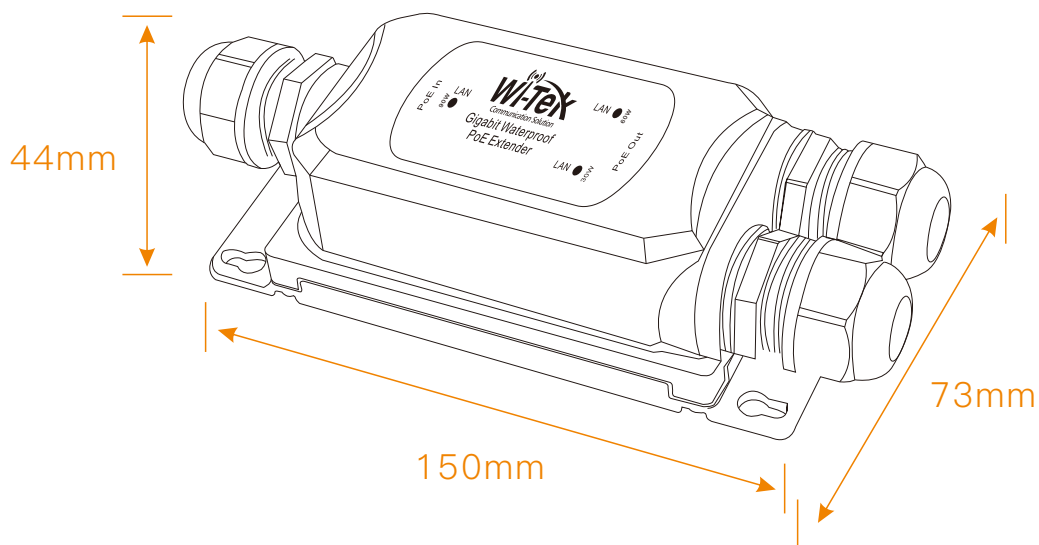


1 x 1000Mbps PoE port with 802.3af/at 30W

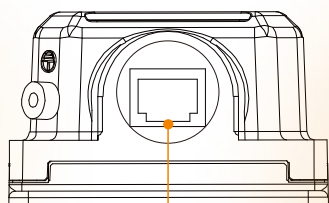
1 x 1000Mbps PoE port with 802.3af/at 30W

WI-POE22E-O

Dimensions (mm)

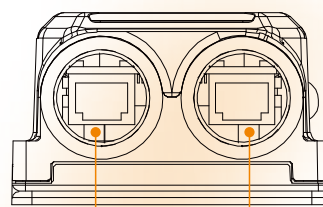


Front Panel



1 x 1000Mbps PoE port with 802.3bt 90W

Side Panel



1 x 1000Mbps PoE port with 802.3bt 60W

1 x 1000Mbps PoE port with 802.3af/at 30W

## Package Contents

Welcome to order our products. After purchasing, you will receive:

Items	Quantity
PoE Extender	1 pcs
M22 Waterproof Gland	3 pcs
Wrench	1 pcs
Ground Wire	1 pcs
Quick Installation Guide	1 pcs



Wireless-Tek Technology Limited  
 Address: Building 3, Units 1801-1807, 1812, Huaqiang Era Plaza, Tangwei Community, Fuhai Street, Bao'an District, Shenzhen City, Guangdong Province, China.  
 Website: [www.wireless-tek.com](http://www.wireless-tek.com)  
 Tel: 86-0755-32811290  
 Email: [sales@wireless-tek.com](mailto:sales@wireless-tek.com)  
 Technical Support: [tech@wireless-tek.com](mailto:tech@wireless-tek.com)



Technical Support



Cloud Management



Company Website